

PRODUCT DATASHEET

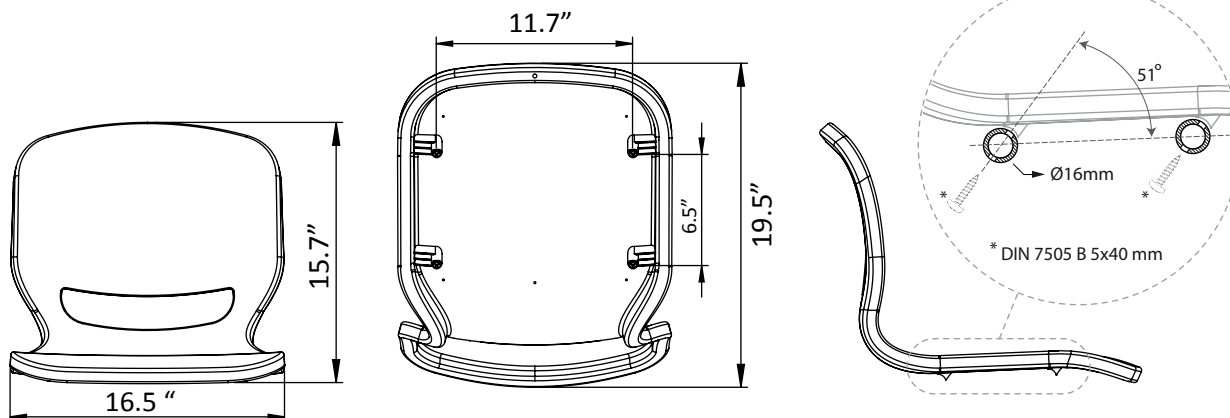
ONE SHELL, UNLIMITED STRUCTURES

When we think of Ergos Shell, we think about all the places where we seat: in the office, classrooms, even lunchroom...

Ergos Shell was developed for all customers' needs providing maximum sitting comfort. All the Ergos Shell models have a gas-assisted injection reinforced polypropylene hull, and together with the various steel tube structures, creates different models, which adapt to the needs of each space.



DIMENSIONS:



FEATURES:



STRONG
Increased resistance to impact, scratches and wear



WASHABLE
Sleek design for quick and easy cleaning



100% RECYCLABLE
Hull produced in a safe and non toxic material



COLORS (STANDARD):

POLYPROPYLENE

Deep Blue	Bright Red	Light Green	Briht Yellow	Orange	Anthracite
661	1797	362	123	166	446

Other colors with minimum orders of 200 units.

FRAMES (EXAMPLES):



EXPEDITION DETAILS:

REF.	BOX (cm)	QT.	UN. / PALLET	PALLET DIM. (cm)	UN. / CONTAINER 20"	UN. / CONTAINER 40"
ERGOS SH	80 x 61 x 30	14	112	125 x 82 x 192	1540	3360

PRODUCT DATASHEET

ONE SHELL, UNLIMITED STRUCTURES

When we think of Ergos Shell, we think about all the places where we seat: in the office, classrooms, even lunchroom...

Ergos Shell was developed for all customers' needs providing maximum sitting comfort. All the Ergos Shell models have a gas-assisted injection reinforced polypropylene hull, and together with the various steel tube structures, creates different models, which adapt to the needs of each space.



"BASE"



"POLE"



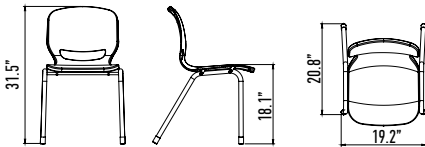
"NOTE"



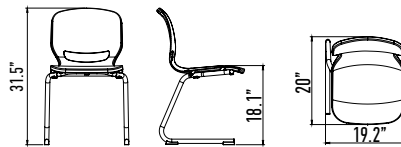
"SPIN"

DIMENSIONS:

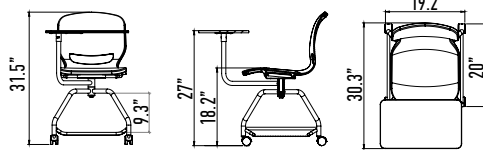
ERGOS SHELL "BASE"



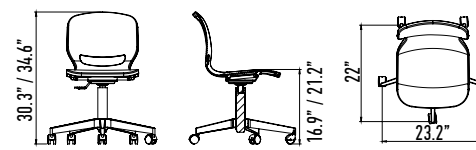
ERGOS SHELL "POLE"



ERGOS SHELL "NOTE"



ERGOS SHELL "SPIN"



FEATURES:



STRONG
Increased resistance to impact, scratches and wear



WASHABLE
Sleek design for quick and easy cleaning



ANTIBACTERIAL
Mixture of inorganic antimicrobial compound



STACKABLE
Easy to carry and storage ("BASE")



100% RECYCLABLE
Hull produced in a safe and non toxic material



UV PROTECTION
Suitable for indoors or outdoors



CUSTOMIZABLE
Available in any color with minimum order



EASY MOUNTING
Easy assembly the hull in any structure



COLORS:

POLYPROPYLENE

Deep Blue	Bright Red	Light Green	Briht Yellow	Orange	Anthracite
661	1797	362	123	166	446

STRUCTURE

Light Grey	Dark Grey
7035	7021

*Other colors with minimum orders of 200 units.

CUSTOMIZABLE FRAMES (EXAMPLES):



EXPEDITION DETAILS:

REF.	BOX (cm)	QT.	UN. / PALLET	PALLET DIM. (cm)	UN. / CONTAINER 20"	UN. / CONTAINER 40"
BASE	70 x 55 x 100	5	40	125 x 125 x 215	320	680
POLE	70 x 55 x 100	5	40	125 x 125 x 215	320	680
NOTE	53 x 73 x 66	1	12	130 x 130 x 198	99	198
SPIN	64 x 63.5 x 46	1	16	130 x 130 x 199	108	216