

ERGOS ONE



Certified by:
FIRA

ERGOS ONE CHAIRS

The ERGOS chairs, designed to provide exceptional strength and stability, provide a correct posture, positively influencing students' attention in the classroom. Entirely produced in double-walled polypropylene. One piece ERGOS chairs comply with EN 1729 Parts 1 & 2 (European standard for dimensions, strength and stability).

- A**
SUPERIOR LUMBAR SUPPORT
Reduces fatigue caused by all-day sitting.
- B**
CUTOUT BACK
Allows lower back breathing for greater comfort.
- C**
WIDE SEAT
Maximizes comfort and attention in the classroom
- D**
SMOOTH EDGES
Seat's rounded edges designed for a proper knee flexion angle, helping blood circulation.
- E**
ANTI-ROCKING
Back legs angle offers great stability.

STRONG
Increased resistance to impact, scratches and wear

WASHABLE
Sleek design for quick and easy cleaning

LIGHTWEIGHT
Lightness to easily move and arrange

CUSTOMIZABLE
Available in any color with minimum order

100% RECYCLABLE
Produced in a safe and non toxic material

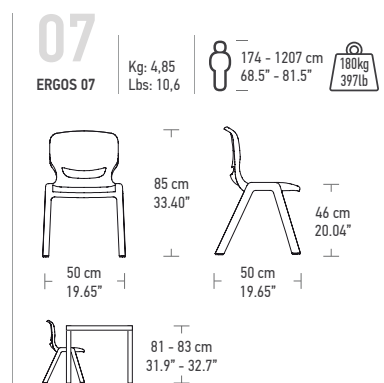
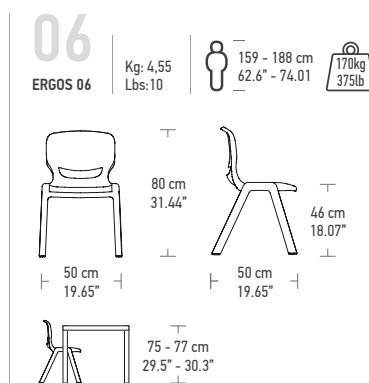
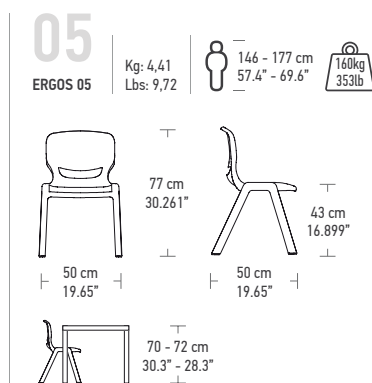
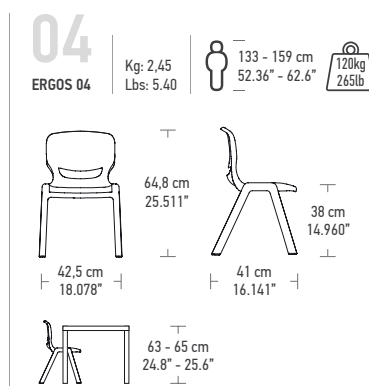
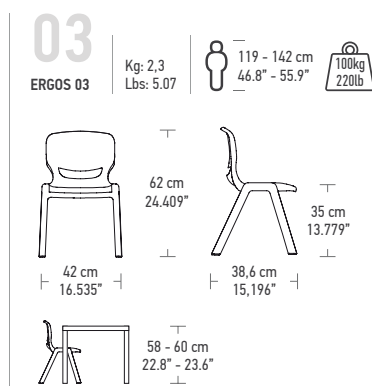
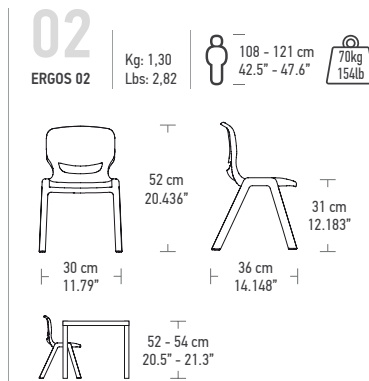
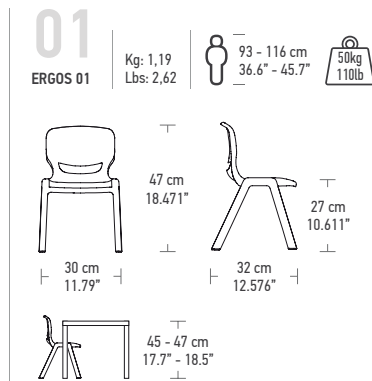
UV PROTECTION
Suitable for indoors or outdoors

STACKABLE
Easy to carry and storage

ANTIBACTERIAL
Mixture of inorganic antimicrobial compound (optional)

ERGOS ONE

SIZES



COLORS



LOGISTICS:

REF.	UN. / PALLET	PALLET DIM. (cm)	UN. / CONTAINER 20"	UN. / CONTAINER 40"
ERGOS 01	153	120,5 x 100,5 x 170A	1.377	3.060
ERGOS 02	153	120,5 x 100,5 x 170A	1.377	3.060
ERGOS 03	64	110,5 x 100 x 217A	560	1.344
ERGOS 04	64	110,5 x 100 x 219A	560	1.344
ERGOS 05	48	130 x 110 x 218A	384	864
ERGOS 06	44	130 x 110 x 220A	352	792
ERGOS 07	40	130 x 110 x 211A	320	720

